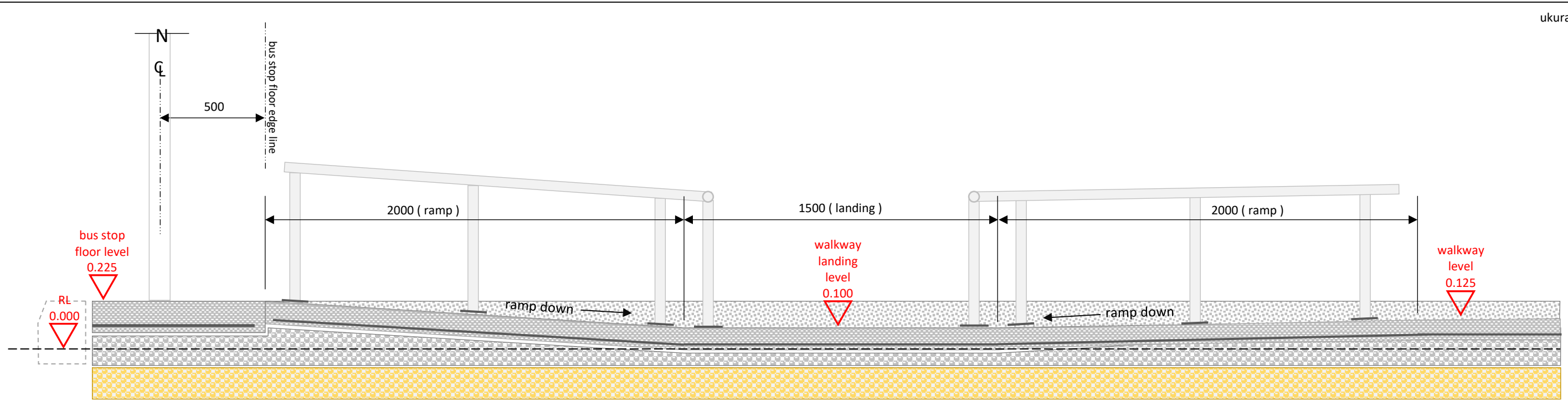
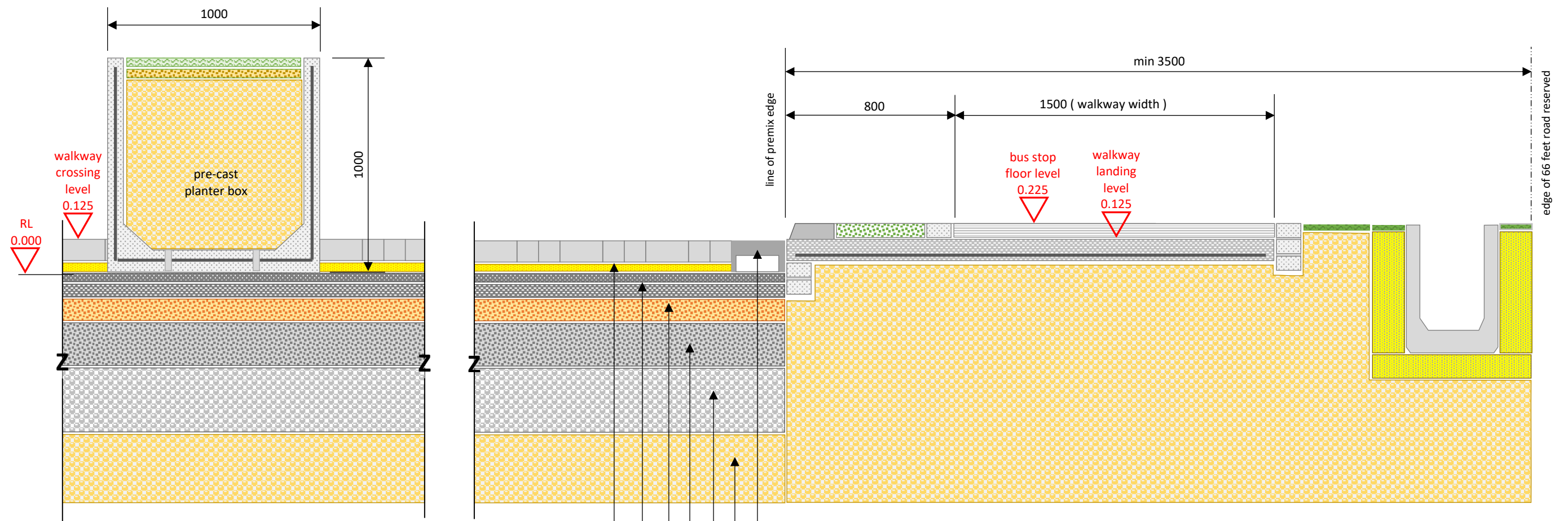


KERATAN A - A

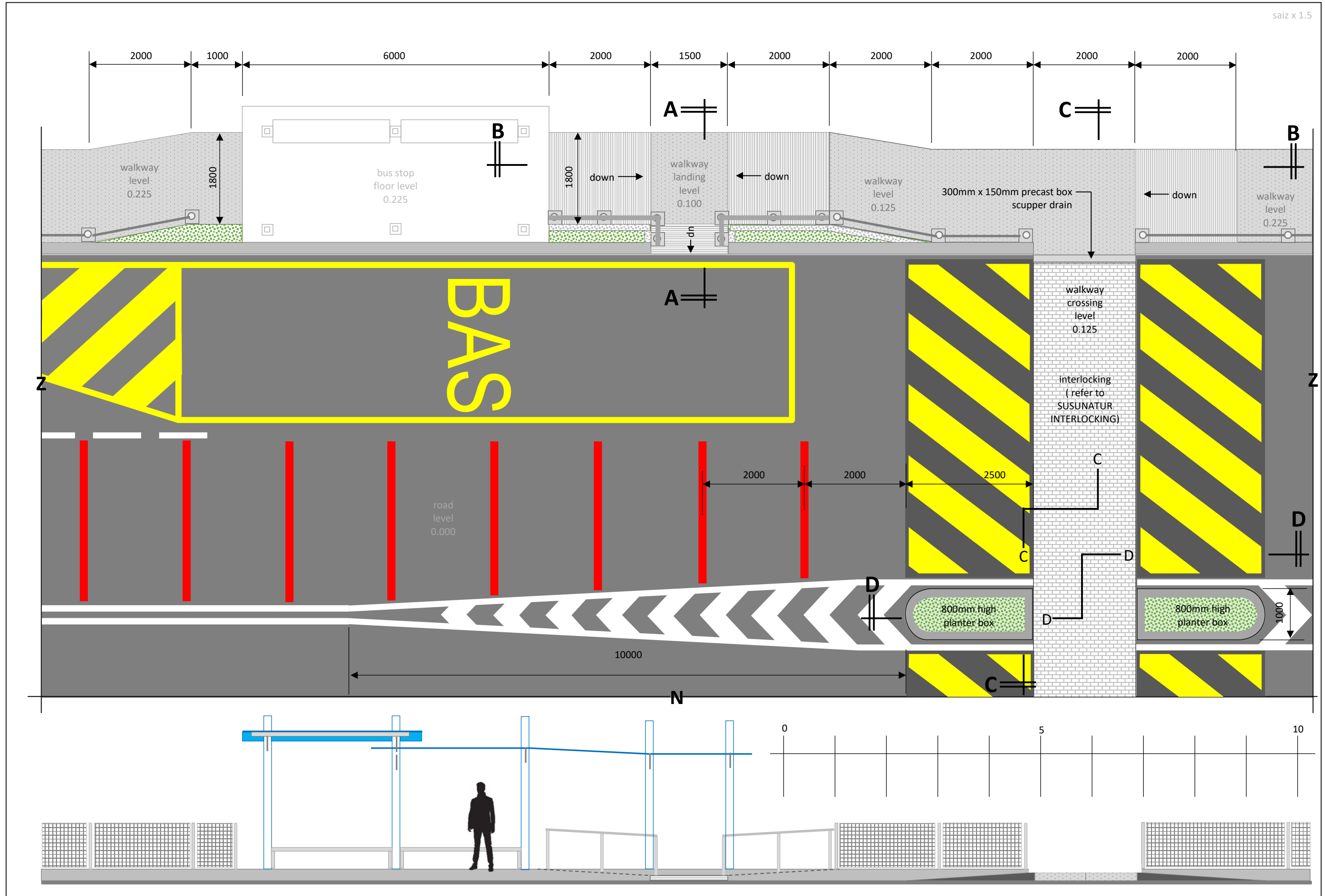


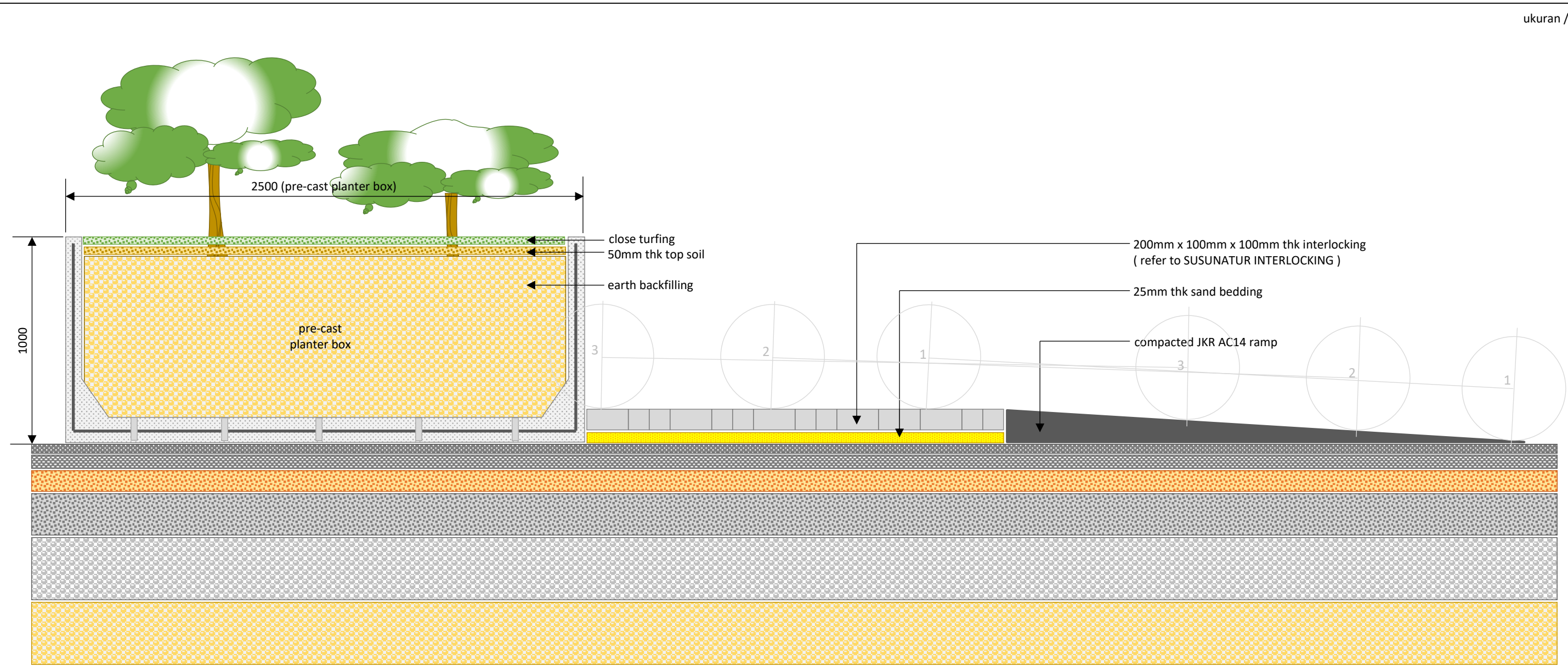
KERATAN B - B



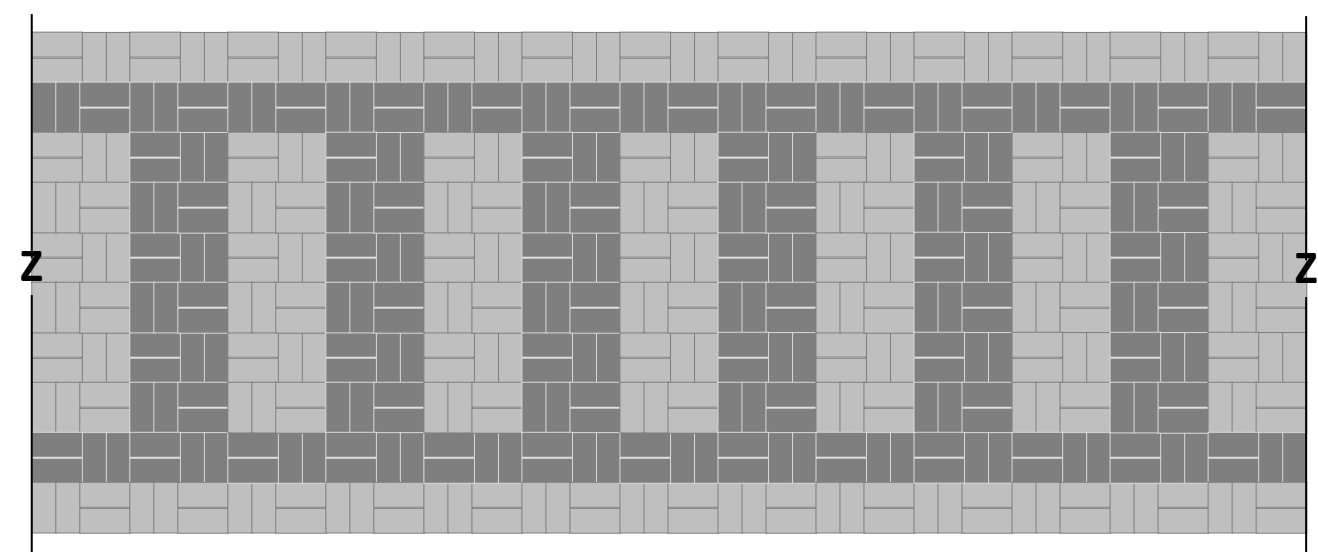
- 25mm min thk fully compacted sand bedding
- 60mm JKR AC28 + 40mm JKR AC14
- 100mm thk compacted crusher run - base
- 200mm thk compacted crushed aggregates - sub base
- 300mm thk compacted crushed stone - subgrade
- 300mm thk compacted earth
- 300mm x 125mm precast box scupper drain to detail

KERATAN C - C

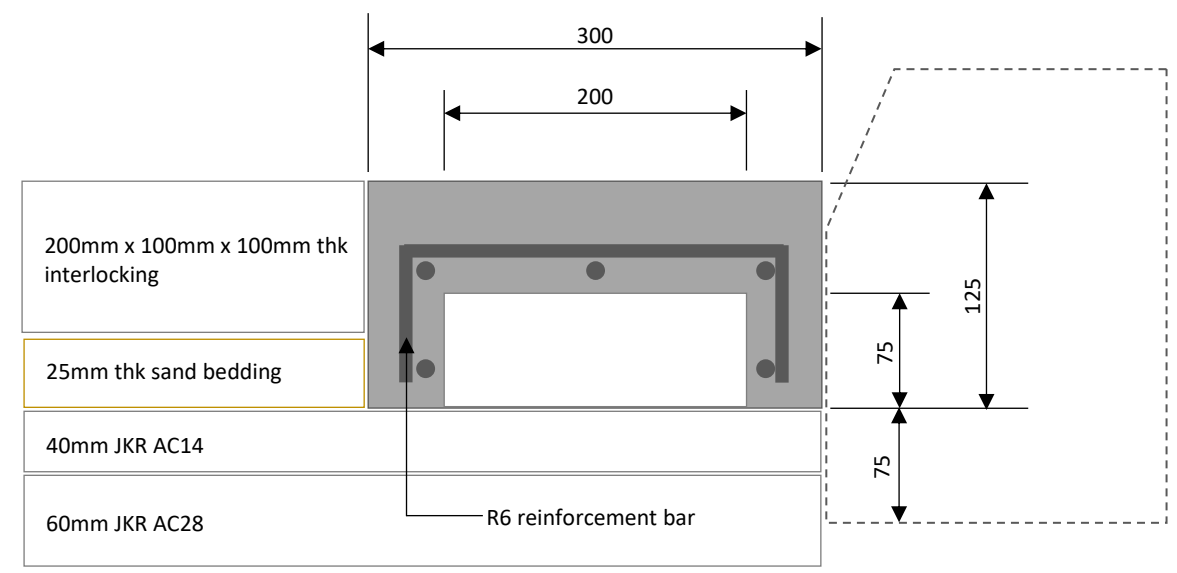




KERATAN D - D



SUSUNATUR 'INTERLOCKING'



G25 300MM X 125MM x 2000MM
PRECAST BOX SCUPPER DRAIN